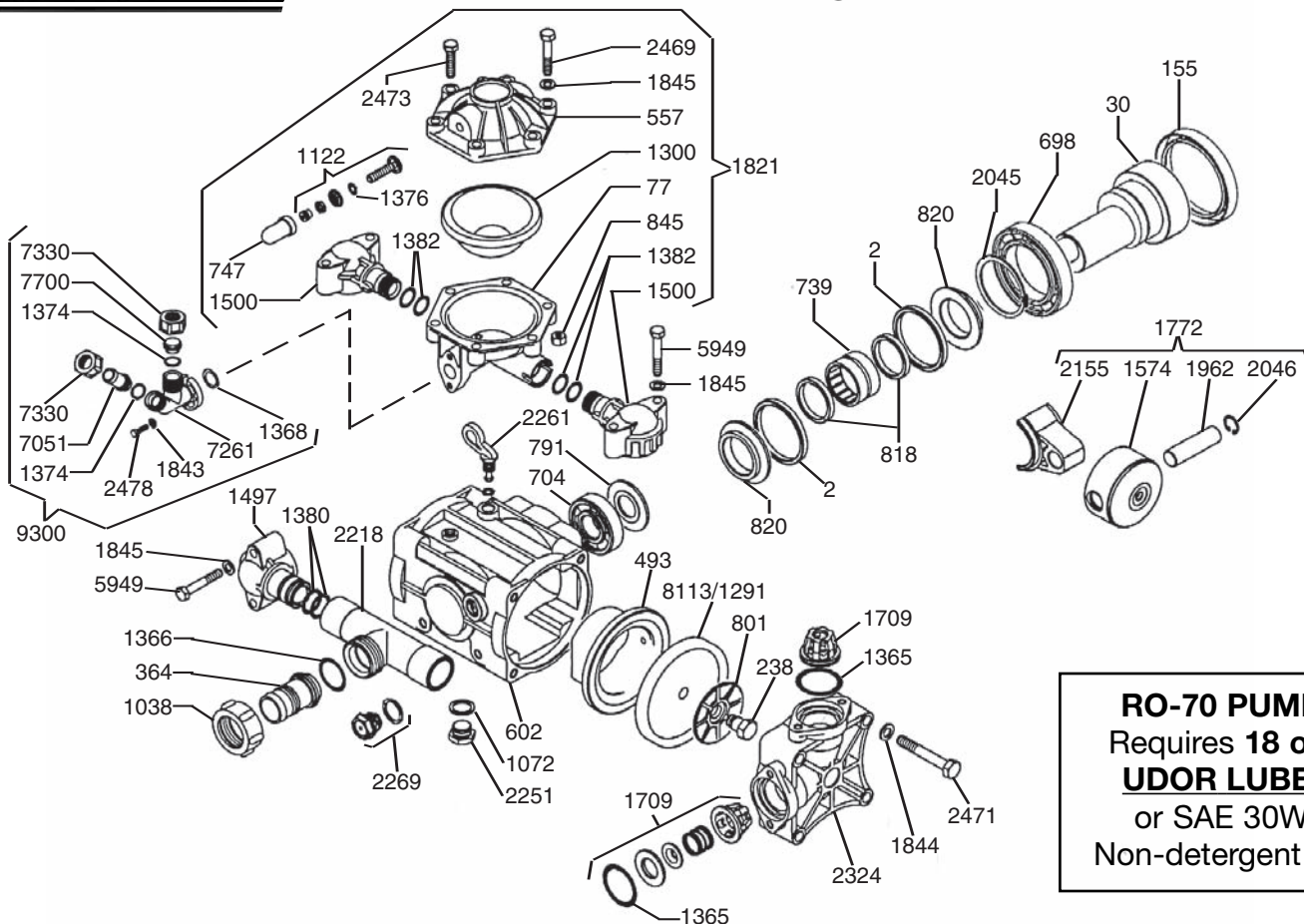




RO-70

Exploded View Diagram and Parts List



RO-70 PUMP
Requires 18 oz.
UDOR LUBE,
or SAE 30W
Non-detergent Oil

RO-70

REF#	PART#	DESCRIPTION	QTY	REF#	PART#	DESCRIPTION	QTY
2	0001.02	Retainer Ring	2	1500	1203.38	Elbow	2
30	0002.11	Crank Shaft	1	1574	1205.12	Piston	2
77	0003.09	Pressure Accumulator	1	1709	6006.08	Valve Assembly	4
155	0007.01	Seal	1	1772	6015.34	Piston Rod Assembly	2
238	0102.03	Diaphragm Bolt	2	1821	6031.20	Accumulator Assembly	1
364	0202.51	Suction Barb	1	1843	1403.07	Washer	2
493	0206.19	Piston Sleeve	2	1844	1403.09	Washer	10
557	0208.20	Accumulator Head	1	1845	1403.10	Washer	14
602	0209.09	Pump Body	1	1962	1502.01	Connecting Rod Pin	2
698	0214.01	Ball Bearing	1	2045	1506.01	Snap Ring	1
704	0214.09	Ball Bearing	1	2046	1506.02	Snap Ring	4
739	0216.08	Bearing	1	2155	1519.22	Connecting Rod	2
747	0218.01	Air Valve Cap	1	2218	1602.14	Tube	1
791	0301.10	Washer	1	2251	1603.02	Oil Plug	1
801	0301.07	Retainer Washer	2	2261	1603.23	Plug	1
818	0302.64	Spacer	2	2269	1603.33	Oil Sight Glass	1
820	0302.01	Spacer	2	2324	1604.50	Head	2
845	0303.01	Nut	6	2469	1804.18	Bolt	4
1038	0604.18	Suction Nut	1	2471	1804.29	Bolt	8
1072	0605.09	Aluminum Gasket	1	2473	1804.54	Bolt	2
1122	0608.16	Air Valve Assembly	1	2478	1804.68	Bolt	2
1291	0903.02	Diaphragm (BUNA-N) optional	2	2481	1804.07	Bolt	2
*1300	0903.14	Accumulator Diaphragm	1	2580	1805.01	Bolt	4
*1365	1101.01	O-Ring	4	5949	1804.72	Bolt	8
1366	1101.02	O-Ring	1	7051	0202.69	Brass Barb, Discharge	1
1368	1101.04	O-Ring	1	7261	0501.57	Flange	1
1374	1101.12	O-Ring	2	7330	0604.29	Barb Nut	2
1376	1101.16	O-Ring	1	7700	1603.22	Plug	1
1380	1101.25	O-Ring	4	*8113	0903.34	Diaphragm (DESMOPAN, Standard)	2
1382	1101.29	O-Ring	4	9300	8704.07	Discharge Assembly	1
1497	1203.36	Suction Elbow	2				

* Parts Included in Diaphragm Repair Kit - #8700.05. (Also available in Buna-N - #8700.14.)



RO-70

Low Pressure Diaphragm Pump

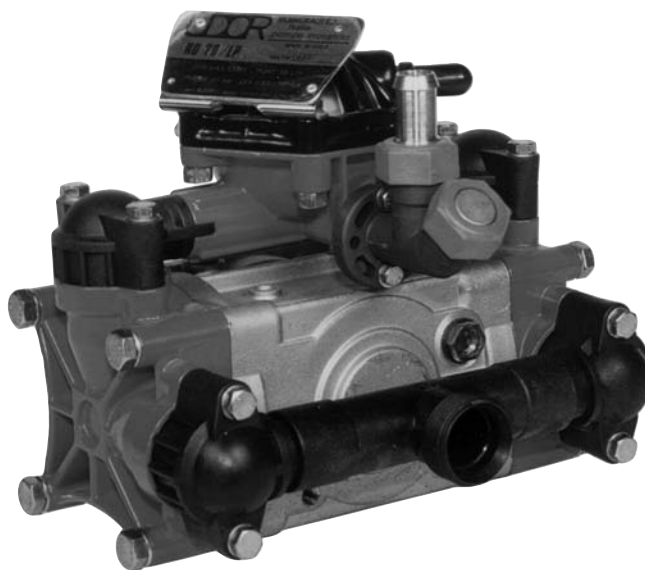
RO-70 low pressure diaphragm pumps are excellent for various horticultural, lawn care & agricultural spraying applications. Simplicity of design and common parts allow easy and affordable maintenance. A built-in pulsation dampener is standard.

The RO-70 has plasticized aluminum heads, glass-filled nylon manifolds and stainless steel liquid handling parts.

Recommended control unit, 6047.06/LP, not included.

Several drive options are available, including:

Part Number	Description
4155.00/R	Hydraulic Motor Mounting Kit
5027.75	Gear Reduction for 5-6.5 HP
5033.A4	Gear Reduction for 8-9 HP
7751.A1	1" Solid Keyed Shaft with Mounting Rails and Bolts
7702.01	1-3/8" 6-Spline Male PTO Shaft with Mounting Rails, Safety Shield & Bolts
7752.A2	1-3/8" 6-Spline Female PTO Adapter & Bolts, Torque Arms, Chains & Safety Shield



For industrial uses and spraying applications not listed, please consult UDOR U.S.A.

SPECIFICATIONS

Maximum Flow	20 GPM
Maximum Pressure	300 PSI
Maximum RPM	540 RPM
Maximum Temperature	140°F
Inlet Port (Hose Barb)	1-1/4"
Outlet Port (Hose Barb)	3/4"
Dimensions	L-11" x W-10" x H-13"
Weight	33 lbs.
Diaphragm Material	
Standard	DESMOPAN
Optional	BUNA-N

NOTE - Protect pumps from freezing. If freezing conditions exist, flush pump and system with a 50/50 mixture of antifreeze and water.